

**BLOOD LINE
for
HAEMODIALYSIS**



Blood tubing set has been specially designed for the patient to connect external system which extracts patient's blood to the dialyzer and then returns patient's blood from the dialyzer.

Consists of 2 parts - Arterial and Venous Line - use during dialysis and attached fistula and dialyzer.

Unique chambers reduce foaming, increase air removal and does not trap EPO (Erythropoietin) compliant material of transducer protectors. This helps in ensuring secure machine fit and less incidence of wet out.

Colour coded ergonomic clamps and dialyzer connectors with tethered caps that seal tightly for disposal.

ink resistant tubing handles easily and ensures fast priming

EO Sterile, Non - Toxic and Pyrogen Free

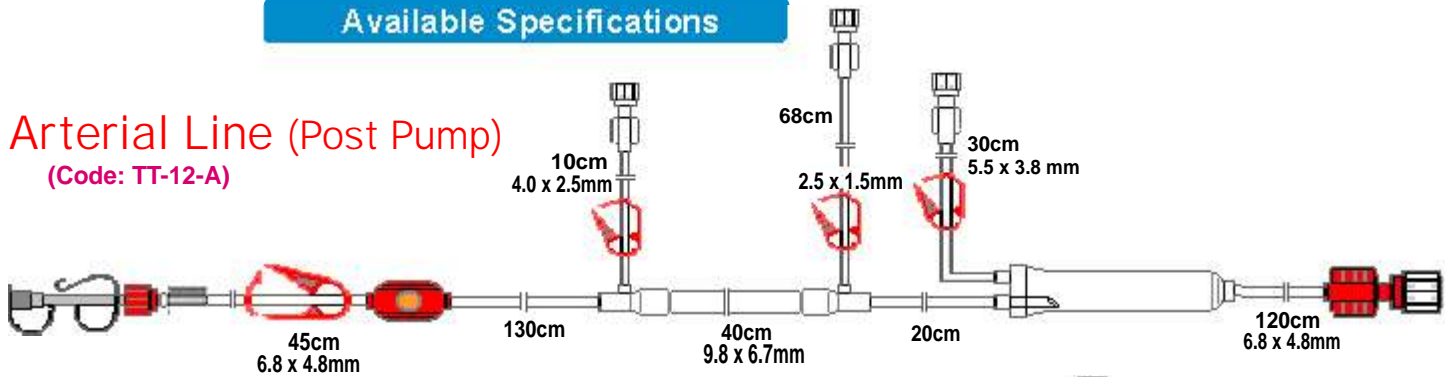
OPTIONS: Blood Tubing with Transducer also available.

Also available in any configuration as per customer's configuration for various dialysis machines. Please send your drawing.

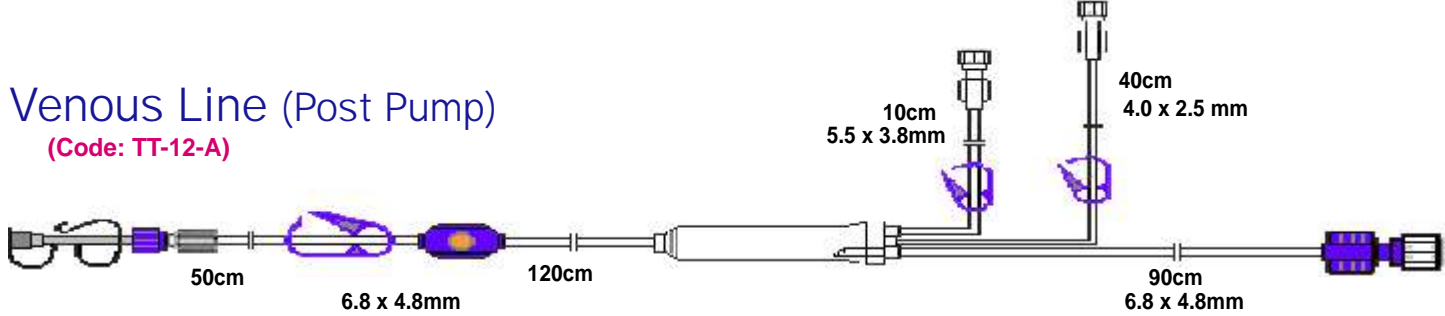
Blood Line

Available Specifications

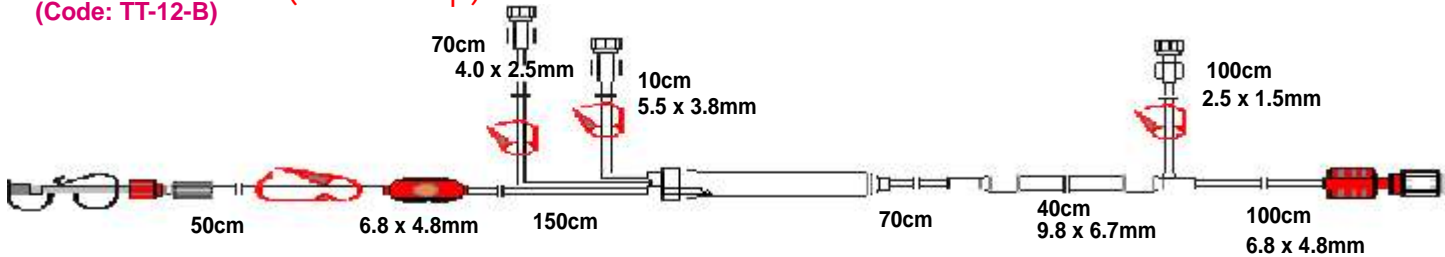
Arterial Line (Post Pump)
(Code: TT-12-A)



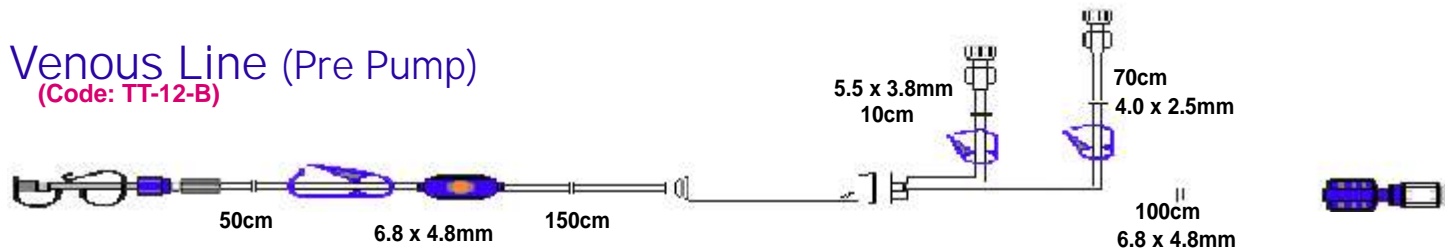
Venous Line (Post Pump)
(Code: TT-12-A)



Arterial Line (Pre Pump)
(Code: TT-12-B)



Venous Line (Pre Pump)
(Code: TT-12-B)



For Haemodialysis